

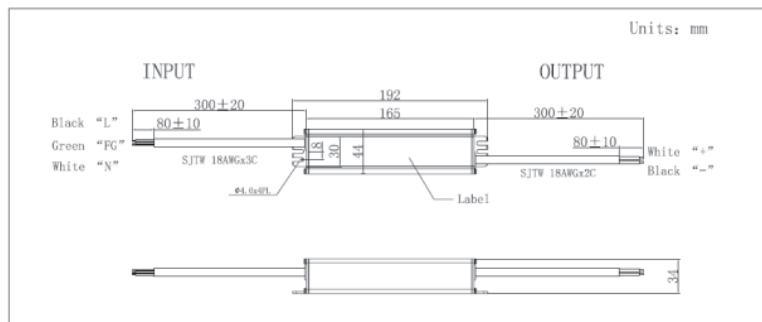


Product Name	LED Power Supply/Driver	Features
Model	H60W-PPS5	
		<ul style="list-style-type: none"> - High performance premium power supply - IP68 - WATERPROOF - for use indoor or outdoor, dry, damp, or wet locations - Variable input voltage with grounding wire: 100v - 277v - Working temperature: -40°C - 60°C* - OVP, OCP, SCP, OTP protection function - Rating: Class 2, for use with LEDs and LED signage - Tested and approved at 100% power load
		

Product Parameters

Output Characteristics	Rated Output Voltage	12V	Environmental Characteristics	Working Temperature	-40 ~ +60° C
	Rated Output Current	5A		Working Humidity	20 ~ 95% RH, (non-condensing)
	Rated Output Power	60W		Storage Temperature	-40 ~ +80° C
	Output Voltage Accuracy	±2.5% (11.7 - 12.3V)		Storage Humidity	10 ~ 95% RH
	Output ripple & noise	≤150mV		IP Rating	IP68
Input Characteristics	Input Voltage Range	100VAC ~ 277VAC	Safety and EMC	Vibration	10 ~ 500HZ, 5G 30 minutes (for X, Y, Z each axis)
	Input Frequency Range	50HZ ~ 60HZ		Safety Rating	Class 2, IP68
	Input Current	0.65A/115V 0.35A/230V		Dielectric Strength (Hi-Pot)	I/P-O/P 3.75KVAC/ 10mA/3S I/P-Case 1.8 KVAC/ 10mA/3S
	Inrush Current (cold start)	≤ 50A (100-277Vac)		Insulation Resistance/	100MOhm Max/ 500VDC/ 3S
	Efficiency	≥ 86%		Grounding Resistance	100mOhm
Protective Characteristics	PF	≥ 0.95	Other Characteristics	EMC	FCC part 15classB EN55015
	Over-Current Protection	<input checked="" type="checkbox"/> YES <input type="checkbox"/> NO		MTBF	>50,000Khrs. MIL-HDBK-217F(25° C)
	Short-Circuit Protection	<input checked="" type="checkbox"/> YES <input type="checkbox"/> NO		Size	192*44*34mm(L*W*H)
	Over-Voltage Protection	<input checked="" type="checkbox"/> YES <input type="checkbox"/> NO		Weight	0.52KG
Over-Temperature Protection	<input checked="" type="checkbox"/> YES <input type="checkbox"/> NO				



- Please ensure that the ground wire is properly grounded and ensure it does not come into contact with the neutral wire.
- Please ensure the power supply position has sufficient airflow. Operating temperature must be between -40°C to +55°C.
- Do not overload the power supply with multiple appliances.
- Power supply operates at high temperature. To avoid injury, do not touch while in use.
- Do not install with power connected or during an electrical disturbance.
- Do not attempt to install by yourself. Please contact the supplier with any questions.
- Please read and follow the instructions carefully before installing. Ensure all contact points are in good working order.
- Please pay attention to the environment, and check for any unsafe conditions.