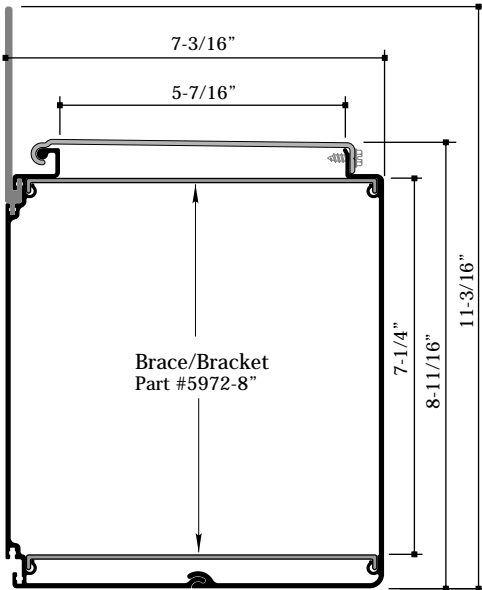




Channel Letter Raceways

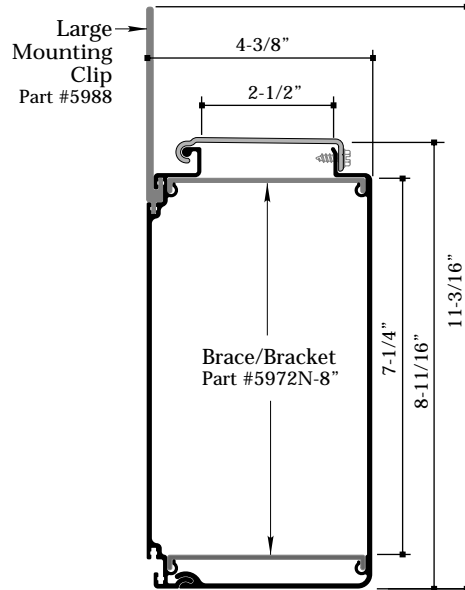
8" CLR

1981 Front / 1982 Back / 1986 Cover



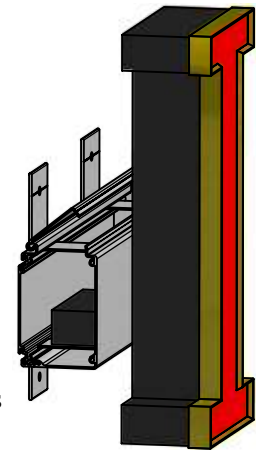
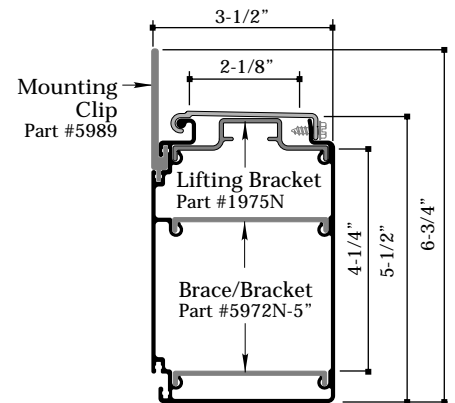
8" Narrow CLR

1981 Front / 1982N Back / 1986N Cover



5" 1 PC CLR

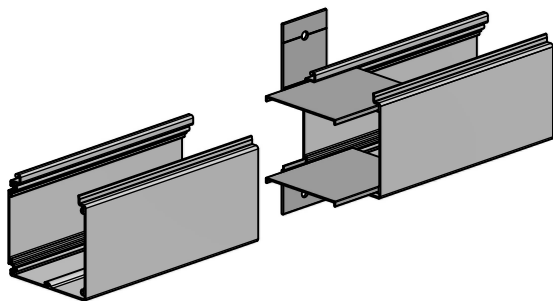
1970N / 1976N Cover



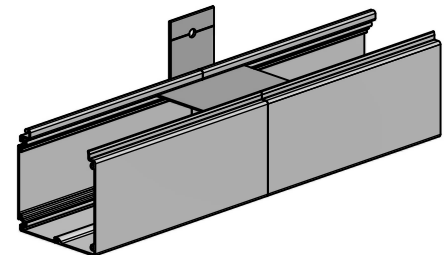
Features & Benefits

- 2 Piece design allows for letter attachment and wiring before final assembly.
- Front / Back / Cover can be nested and cut to size with one single cut.
- Multi-functional assembly brace / power supply bracket also functions as a joiner plate.
- Drops can be easily joined/spliced together.
- Slide in mounting clips are available in two sizes.
- Interlocking connection channel in the 2 Piece design sits flat - Quickly and easily rolls together for a structural assembly.
- Mounting Clips are pre-punched 7/16" to accommodate a 3/8" fastener.
- Hingeable Cover for easy access. Sloped and extended for optimum water exclusion.
- Intermediate screw boss added to the 1 Piece to accommodate ease of service for LED power supplies.

Channel Letter Raceway Splicing



- Cut two 6" Channel Letter Raceway Brace/Brackets.
- Insert into the top and bottom of one section of raceway.



- Connect both sections of raceway together by sliding the brace/brackets into the second piece of raceway.
- Weld or bond both sides of the top and bottom to secure the splice.