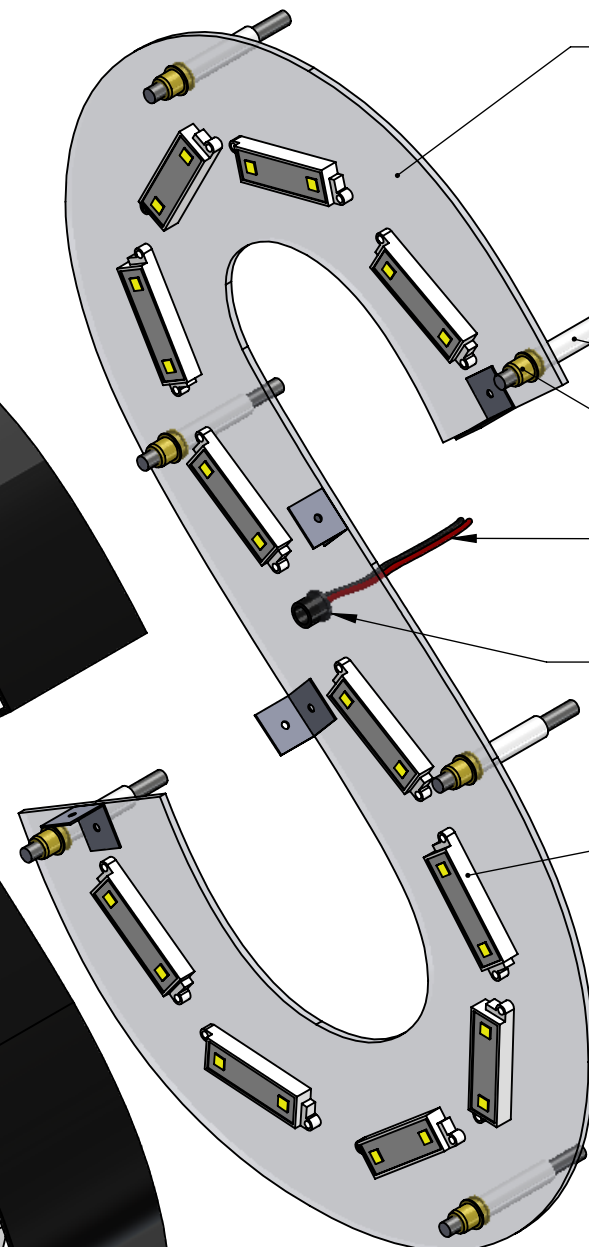


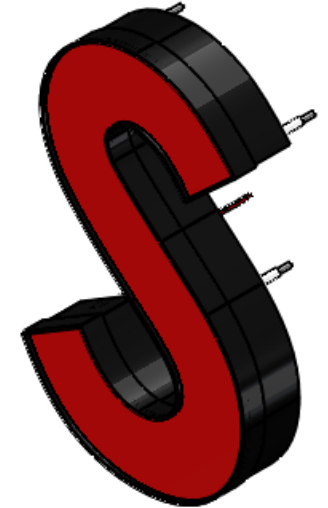
ISOMETRIC EXPLODED VIEW FRONT & BACK LIT CHANNEL LETTER

SOME ELECTRICAL WIRE NOT SHOWN

.040 ALUMINUM
TRIMCAP
.177 ACRYLIC
FACE



.177 THICK CLEAR
POLYCARBONATE
BACK
THREADED ROD (OPTIONAL)
SPACER (OPTIONAL)
NUTSERT
3' WHIP OF CLASS 2 LOW VOLTAGE WIRE
(3 WIRE OPTIONAL)
HEYCO BUSHING
LED LIGHTING



ISOMETRIC VIEW

ZONE	REV.	DESCRIPTION	DATE	APPROVED
	A	INITIAL ISSUE	6/4/2015	
REVISIONS				
		NAME	DATE	
DRAWN BY:		JOHN GANTZ	6/4/2015	
REQUESTED BY:				
		CAD SYSTEM: SOLIDWORKS		
		MATERIAL		
		FINISH		
DO NOT SCALE DRAWING				
		PROPRIETARY AND CONFIDENTIAL THE INFORMATION CONTAINED IN THIS DRAWING IS THE SOLE PROPERTY OF WORLD WIDE SIGN SYSTEMS, INC. ANY REPRODUCTION IN PART OR AS A WHOLE WITHOUT THE WRITTEN PERMISSION OF WORLD WIDE SIGN SYSTEMS, INC. IS PROHIBITED.		WORLD WIDE SIGN SYSTEMS, INC. PO BOX 338 446 N CECIL STREET BONDUEL, WI 54107 715-758-2146
		TITLE: FRONT & BACK LIT CHANNEL LETTER		REV A
		SIZE DWG. NO. B FRONT & BACK LIT		
		SCALE: 1:3	WEIGHT:	SHEET 1 OF 1

